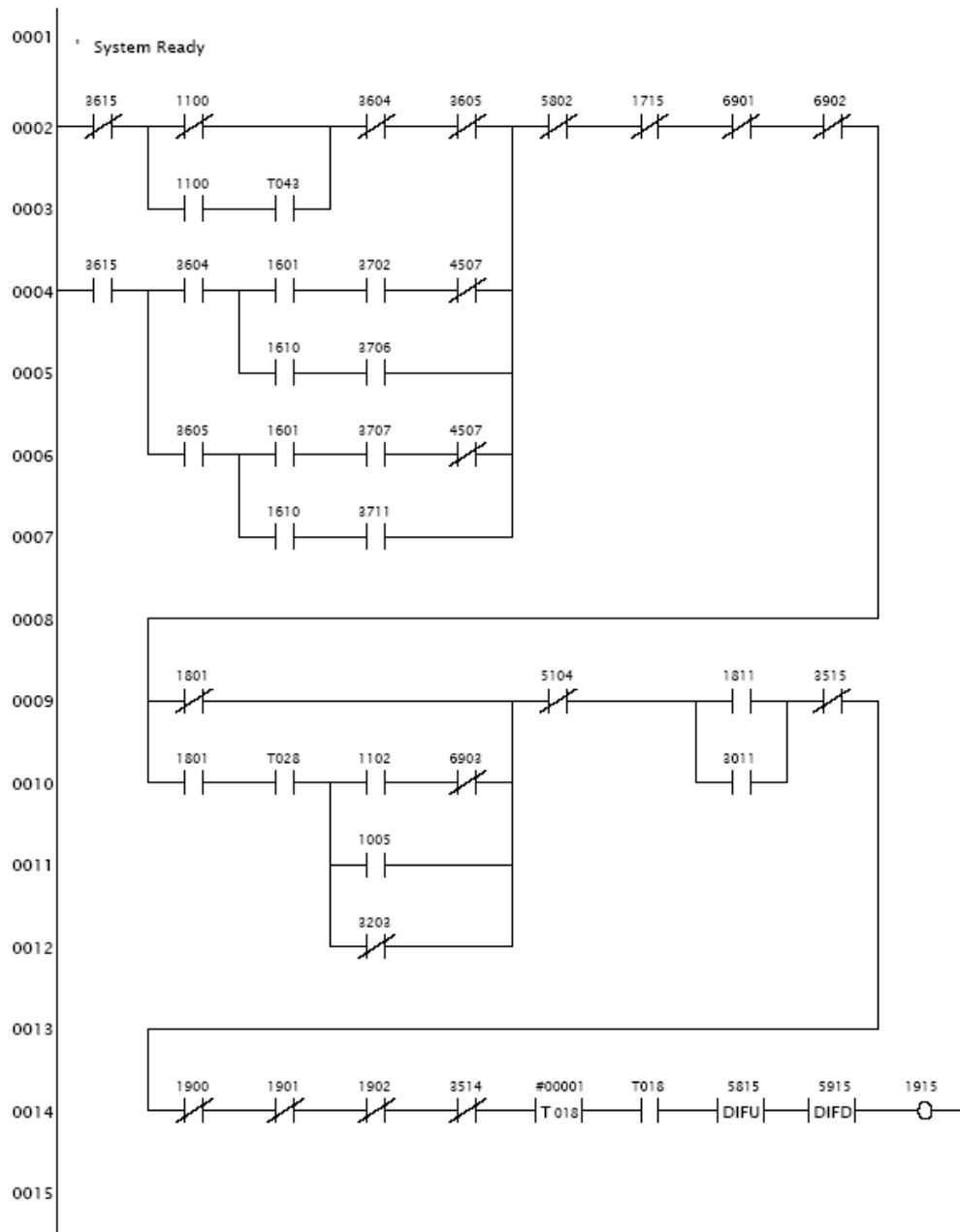


Title:	STR44 1915 Ready Definition			ID:
				0213
Date in:	Response:	Model:	Author:	
2005-07-22	2005-07-22	STR44	CMa	

Name: Ldw1(KV10(16)A/D)

[Ladder Diagram]

Date: 2005/07/22 Page(1/2)



Name: Ldw1(KV10(16)A/D)

[Ladder Diagram]

Date: 2005/07/22 Page(2/2)

0021

0022

0023

0024