

Room  
Temperature  
Systems

# LPR240

Plate  
Hotel

- Under-the Deck Integration
- Ideal for Protein Crystallization Work
- Ideal for Multiple Cassette Configuration



**LiCotel**

# LPR240

The LPR240 will hold up to 242 MTP with a 23 mm pitch. It is ideal for multiple cassette/sample configurations. The unit sits entirely under the workstation of the liquid handler deck. Multiple transfer stations can be used to increase production and throughput.

The LPR240 is ideal for protein crystallization work because the carousel can be stationary with the Star concept, allowing the periscope to be the only moving part reducing vibration and movement of the samples.

While allowing full remote access on handling, you can manually access the cassettes or samples from the front of the unit. For better access to cassettes located in the back of the instrument, the carousel may be positioned automatically or rotated manually.

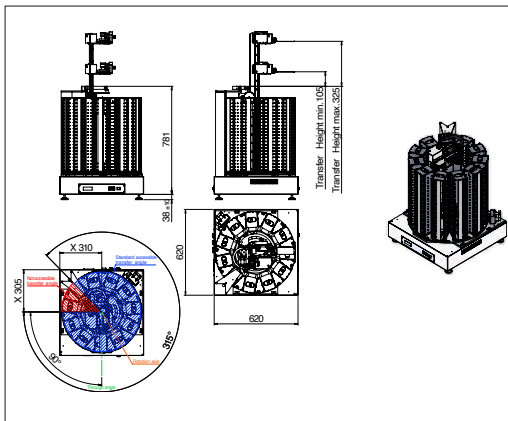
The LPR 240 with 242 MTP capacity makes it perfectly suitable for large integrations. Its compact size and high capacity make it ideal for mixed plate applications. Our various options make it suitable for many applications. For details, please refer to [www.liconic.com](http://www.liconic.com).

Options	
	Order Nr.
LPR240	9143 01 35

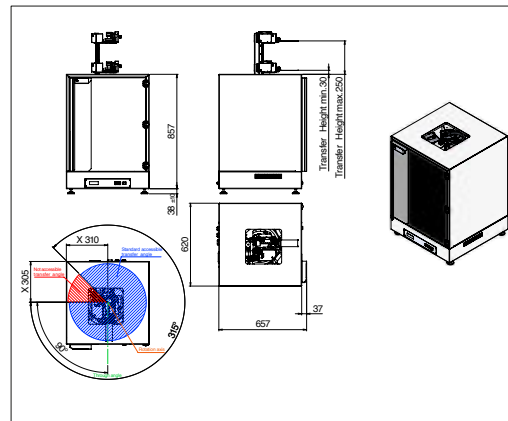
Options	
	Order Nr.
Bar Code Reader Option	9118 11 03
Plate Presence Sensor / Optical detection of Plate in Cassette	9121 00 62
iMotion access speeds for time critical applications	9118 35 71
Plate overweight kit supports labware weight 300g up to 800g	9118 13 83
Cover Protection with integrated Door for manual access	9143 01 36
Linear Shaker, Amplitude 1-100mm, 12-300 rpm	9143 02 01
Clear Access Door	9144 12 52

Accessories	
	Order Nr.
<b>Cassettes</b>	
Inverted cassette MTP, 22 levels, pitch 23mm, all stainless steel	9118 01 96
Inverted cassette Deep Well, 10 levels, pitch 50mm, all stainless steel	9118 01 97
Inverted custom size cassette, nn levels, mm pitch (specify plate height), all stainless steel	9118 12 32
<b>Transfer Stations</b>	
Standard transfer station plate with integrated plate detection sensor	9147 00 24

## Dimensions



x Position varies depending on handling adjustment within chamber



x Position varies depending on handling adjustment within chamber

## Capacity

Plate Type	Plate Height	Plate capacity of unit
NTP	5 mm	495
	11 mm	319
1536	12 mm	308
	17 mm	242
MTP	22 mm	198
	23 mm	187
	24 mm	187
	27 mm	165
DWP	44 mm	110
	53 mm	88
DiTi200	66 mm	77
DiTi1000	104 mm	44