

-20°C
+70°C



STX500

Automated
Incubator

- More Integration Flexibility
- Higher Access Speed
- 16-Bit Digital Climate Control



StoreX
Series

STX500

Stable and Precise Climate Conditions

The STX500 has improved capacity, configurable up to 540 MTP with implemented Flush Gate. The newly developed handling with higher speeds and flush gate enhances the overall performance of the unit.

The Flush Gate simplifies integration by omitting any obstacle in the Gate area.

Climate Options

Type	Temperature	Humidity	Description	Order Nr. Bench Top
STX500-IC	6) 33..50°C 5) 33..70°C	7) max. 95% 70..95%	Incubator	9132 04 45
STX500-HC	04..25°C	max. 90%	Humid Cooler	9132 04 46
STX500-DC2	04..25°C	04..50%	Dry Storage	9132 04 47
STX500-HR	04..50°C 04..70°C	85..95% 70..95%	Humid Wide Range	9132 04 48
STX500-DR2	04..50°C 04..70°C	02..50%	Dry Wide Range	9132 04 50
STX500-AR	04..50°C 04..70°C	15..95%	Humidity Controlled	9132 04 49
STX500-DF	4) -20..0°C	02..45%	Deep Freezer	9132 04 52
STX500-NC	-	-	No Climate	9132 04 51
STX500-DH	5) 04..50°C 04..70°C	2..30% 70..95%	Dry Humid	9132 11 64

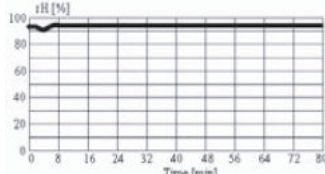
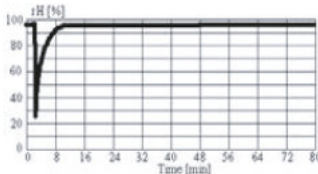
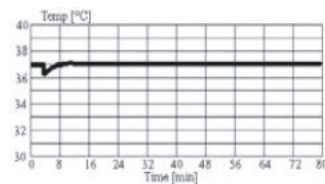
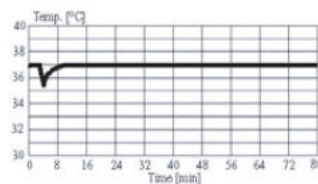
- 1) Humidity depends on temperature setting
 2) Humidity Adjustable
 3) Adjustable dehumidification
 4) up to +20°C on request

- 5) High Temp Option
 6) No active cooling. Min temperature is Ambient 8°C
 7) Steam Generator Option

Access

Through the full-sized user door

Through the small robotic gate

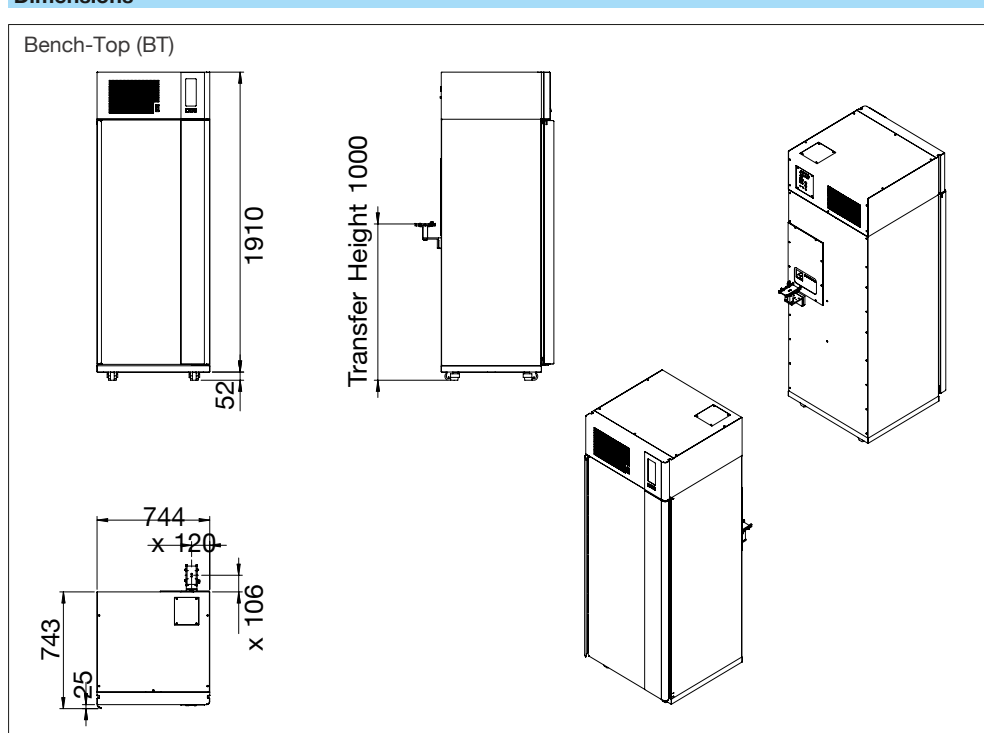


Options

	Order Nr.	Gassing Option	Order Nr.
High temperature 70°C capability	9122 06 06	Fast CO2	9118 11 12
Bar Code Reader Option	9118 11 03	Fast N2	9118 11 13
Plate Presence Sensor	9121 00 62	Fast O2	9118 11 14
Plate overweight kit 300-800g	9118 13 83	Additional CO2	9118 11 07
iMotion access speeds for critical applications	9118 35 72	Additional N2	9118 11 11
N-Way Decontamination	9132 11 53	Additional O2	9118 11 08
Liconel self decontaminating incubator chamber	9132 06 20		
Plate overweight feature, 60-160mm	9132 08 25		
Linear Shaker, Amplitude 1-100mm, 12-300 rpm	9132 05 15		
Mirrored Gate Location	9132 06 18		
Steam Injection	9118 11 16		
Bi-Level carousel	9122 05 04		

Like all members of the StoreX family the STX 500 can be equipped with various types of further options and a wide selection of useful accessories.

Dimensions



Capacity

Plate Type	Plate Height	Bi-Level Carousel	Single level carousel
NTP	5 mm	1030	1130
	11 mm	680	730
1536	12 mm	630	690
	17 mm	500	540
MTP	22 mm	410	440
	23 mm	390	430
	24 mm	380	410
	27 mm	340	370
	44 mm	230	250
DWP	53 mm	180	210
DiTi200	66 mm	160	170
DiTi1000	104 mm	100	110

*Overheight kit required for plate height > 60mm.



www.liconic.com

Europe & International: LiCONiC AG, Liechtenstein
 UK & Nordic: LiCONiC UK Ltd, Manchester
 US & Asia: LiCONiC Inc, North Reading, MA
 © LiCONiC AG, 10.2024