

-20°C
+70°C



STX56

Automated
Incubator

- Stand-Alone or Bench-Top
- Heated or Cooled Versions
- Temperature
+ Humidity Control



StoreX
Series

STX56

Unlock Precision, Versatility, and Efficiency with the STX56 Automated Incubator!

Stable and Precise Climate Control:

- Optimize your screening applications with stable and reproducible climate conditions. Our StoreX 56 transfer gate ensures an ultra-stable environment, ensuring reliable assay outcomes. Experience industry-leading recovery times for efficient plate handling.

Uncompromising Accuracy and Stability:

- Maintain the highest level of accuracy over time with our meticulously monitored sensors. Trusted by the Swiss Office of Metrology and the Swiss Accreditation Service, our sensors ensure exceptional quality control for your experiments and sample storage.

Tailored Climate Options:

- Customize the incubation environment to meet your specific needs. With a range of temperature and humidity configurations, the STX56 accommodates various sample types. Achieve precise incubation temperatures, humid cooling, or dry storage for ultimate flexibility.

Seamless Integration:

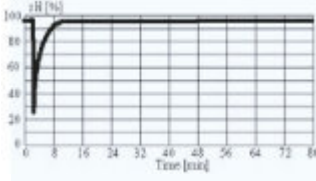
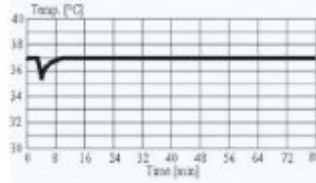
- Effortlessly integrate the STX56 into your laboratory workflow. User-friendly interfaces enable seamless integration with your existing systems and processes. Choose between stand-alone (SA) or bench-top (BT) configuration based on your space and operational requirements.

Options			
	Order Nr.		Order Nr.
High temperature 70°C capability	9118 11 02	Fast CO2	9118 11 12
Bar Code Reader Option	9118 11 03	Fast N2	9118 11 13
Plate Presence Sensor	9121 00 62	Fast O2	9118 11 14
Fast access for time critical applications	9111 10 00	Additional CO2	9118 11 07
Deep well update kit	9118 12 22	Additional N2	9118 11 11
Disposal Tips update kit up to 100mm height	9118 12 23	Additional O2	9118 11 08
N-Way Decontamination	9122 05 28	Steam Injection	9118 11 16
Liconel self decontaminating incubator chamber	9118 12 43	UCI	9118 11 17
Easy Clean option	9118 12 21	Various Shaking options	see separate Product Flyer
Plate overweight kit 300-800g	9118 13 83	Wave option incl. controller	see separate Product Flyer

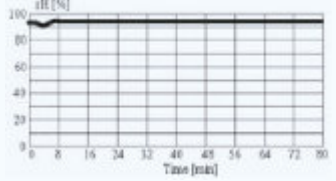
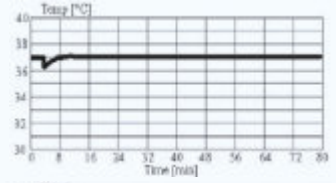
Like all members of the StoreX family the STX 56 can be equipped with various types of further options and a wide selection of useful accessories.

Access

Through the full-sized user door



Through the small robotic gate



Climate Options

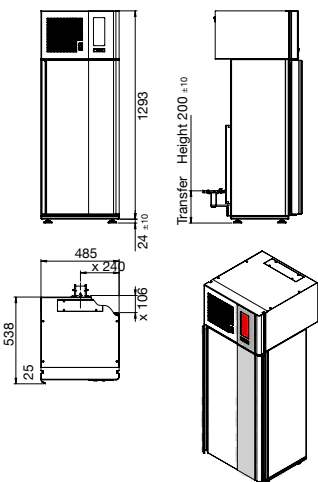
Type	Temperature	Humidity	Description	Order Nr. Stand Alone	Order Nr. Bench Top
STX56-IC	6) 33..50°C 5) 33..70°C	7) max. 95% 70..95%	Incubator	118 27 00	118 27 08
STX56-HC	1) 04..25°C	max. 90%	Humid Cooler	118 27 01	118 27 09
STX56-DC2	04..25°C	04..50%	Dry Storage	118 27 02	118 27 10
STX56-HR	1) 04..50°C 5) 04..70°C	85..95% 7) 70..95%	Humid Wide Range	118 27 03	118 27 11
STX56-DR2	1) 04..50°C 3) 04..70°C	02..50%	Dry Wide Range	118 27 06	118 27 14
STX56-AR	1) 04..50°C 2) 04..70°C	15..95%	Humidity Controlled	118 27 05	118 27 13
STX56-DF	4) -20..0°C	02..45%	Deep Freezer	118 27 04	118 27 12
STX56-NC	-	-	No Climate	118 27 07	118 27 15
STX56-DH	5) 04..50°C 5) 04..70°C	2..30% 70..95%	Dry Humid	9118 41 49	9118 41 50

- Humidity depends on temperature setting
- Humidity Adjustable
- Adjustable dehumidification
- up to +20°C on request

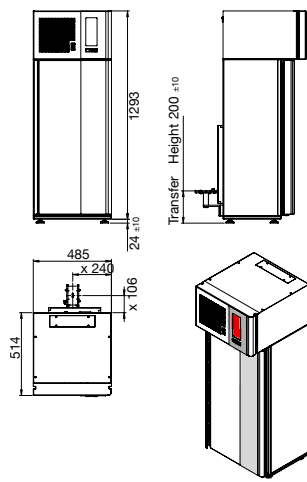
- High Temp Option
- No active cooling. Min temperature is Ambient 8°C
- Steam Generator Option

Dimensions

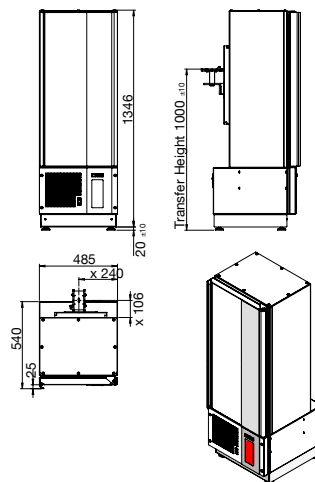
Bench-Top (BT)



Bench-Top (BT) Flush Back



Stand-Alone (SA)



Capacity

Plate Type	Plate Height	Plate capacity of unit
NTP	5 mm	116
	11 mm	76
1536	12 mm	70
MTP	17 mm	56
	22 mm	46
	23 mm	44
	24 mm	42
	27 mm	38
DWP	44 mm	26
	53 mm	20
DiTi200*	66 mm	18
DiTi1000*	104 mm	12

*Overheight kit required for plate height > 60mm.

Integration:

For maximum flexibility the StoreX56 is available in stand-alone (top transfer gate) or bench-top (bottom transfer gate) versions. The easily accessible transfer station and a standard RS232 connection ensure simple integration into an environment.

Information within this document is subject to be changed without prior notice. Specification values without tolerances assume a +/- 10% tolerance. For details please contact our applications. sales@liconic.com



www.liconic.com
Europe & International: LiCONiC AG, Liechtenstein
UK & Nordic: LiCONiC UK Ltd, Manchester
US & Asia: LiCONiC Inc, North Reading, MA
© LiCONiC AG, 10.2024